



MS3580 QuantumT™ is a compact, versatile, and accurate omnidirectional/single line bar code scanner. It's rugged, durable and reliable, making it ideal for a variety of retail presentation scanning applications including convenience stores, liquor stores and pharmacies.

Sunrise 2005 Compliant

MS3580 QuantumT™

Features

- Fully automatic scanning operation
- Omnidirectional/Single-line mode
- Easy mounting integration
- Custom configurable scan pattern
- User-replaceable, single cable interface to host
- Decoding of all standard 1D, RSS-14, RSS Limited and expanded RSS bar codes
- OPOS and JPOS system compatible

omnidirectional or single-line mode select button



Metrologic's QuantumT is a compact, accurate, and reliable omnidirectional laser bar code scanner, enclosed in a durable protective housing. In the omnidirectional mode, QuantumT produces an impressive 1,650 scans per second, offering more scan speed than the competition, increasing throughput and customer satisfaction. While in the single-line mode, you quickly and easily select and scan a desired bar code from a menu-style list.

QuantumT does a big job with a small footprint, freeing up valuable space, whether it's mounted

on a countertop, a wall, a stand, or left free standing as a hand scanner. Other key features include Metrologic's patented IR activation mode, custom configurable scan pattern, and a primary and secondary scan mode. It's an extremely versatile bar code scanner providing a solution for all of your retail scanning needs. QuantumT is an integral part of Metrologic's new Quantum line of omnidirectional bar code scanners that are "Powered by Metrologic's QuantumE Scan Engine."

shown with optional stands



MS3580 Quantum T™

OPERATIONAL

Light Source	Visible Laser Diode 650 nm
Laser Power	1.1 mW (peak)
Depth of Scan Field (programmable)	19 mm - 273 mm (.75" - 10.75") for 0.33 mm (13 mil) bar code at default setting
Width of Scan Field	30 mm (1.2") @ 25 mm (1.0"); 150 mm (5.9") @ 280 mm (11.0")
Scan Speed	Omnidirectional - 1650 scan lines per second Raster - 320 scan lines per second Single-line - 80 scan lines per second
Scan Pattern (programmable primary and secondary scan modes)	Omnidirectional - 5 fields of 4 parallel lines Raster - 4 lines Single-line - 1 line
Minimum Bar Width	0.127 mm (5.0 mil)
Decode Capability	Autodiscriminates all standard 1D bar codes, including RSS-Expanded, RSS-14 and RSS-14 Limited; for other symbologies call Metrologic
System Interfaces	RS232, Light Pen Emulation, Keyboard Wedge, Stand Alone Keyboard, IBM 468x/469x, USB, Laser Emulation, OCIA
Print Contrast	35% minimum reflectance difference
Number Characters Read	Up to 80 data characters
Roll, Pitch, Yaw	360°, 60°, 60°
Beeper Operation	7 tones or no beep
Indicators	Blue = laser on, ready to scan White = good read

MECHANICAL

Length	66 mm (2.60")
Width	67 mm (2.65")
Height	108 mm (4.25")
Weight	170 g (6.0 oz)
Termination	10 position modular RJ45 connector
Cable	Standard 2.1 m (7') straight; optional 2.7 m (9') coiled for other cables call Metrologic

ELECTRICAL

Input Voltage	5 VDC ± 0.25 V
Power	1.825 W
Operating Current	365 mA typical @ 5 VDC
DC Transformers	Class 2; 5.2 VDC @ 650 mA
Laser Class	Class 1; IEC60825-1:1993/A1:1997+A2:2001 Class 1; EN60825-1:1994/A11:1996+A2:2001
EMC	FCC, ICES-003 & EN55022 Class A

Operating	-20°C to 40°C (-4°F to 104°F)
Storage Temperature	-40°C to 60°C (-40°F to 140°F)
Humidity	5% to 95% relative humidity, non-condensing
Light Levels	Up to 4842 Lux (450 footcandles)
Contaminants	Sealed to resist airborne particulate contaminants
Ventilation	None required

Standard Quantum T Color

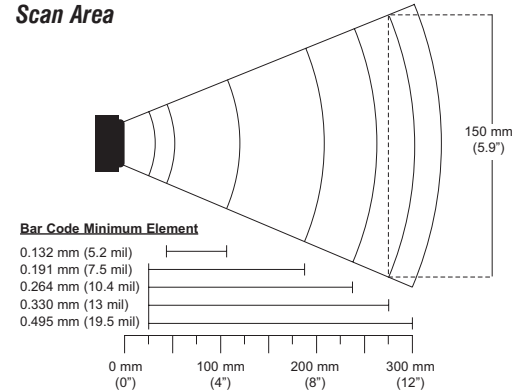
Sample only, actual color may vary



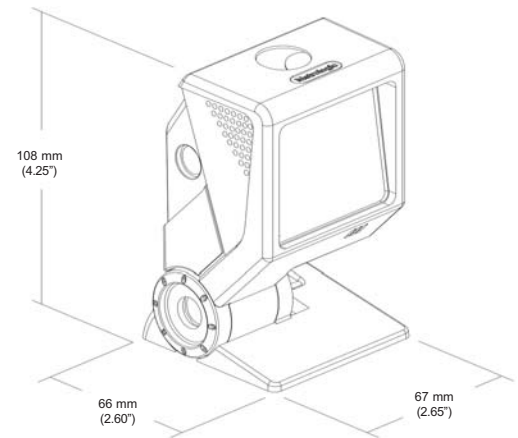
Black

Available in a variety of other colors with minimum quantity purchase

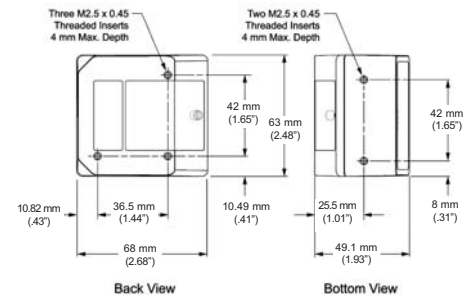
Scan Area



Dimensions



Mounting Holes



Specifications subject to change without notice.
Printed U.S.A., Copyright May 2005
Metrologic, All rights reserved.



Metrologic Instruments, Inc. | **Worldwide Headquarters**
90 Coles Road | Blackwood, NJ 08012-4683 | info@metrologic.com
Telephone 856-228-8100 | Fax 856-228-6673

Asian Headquarters Tel. 65.6842.7155 info@sg.metrologic.com
European Headquarters Tel. 49.89.89019.0 info@eu.metrologic.com
The Americas Headquarters Tel. 1.800.ID.METRO info@us.metrologic.com

ISO 9001:2000



DS3580